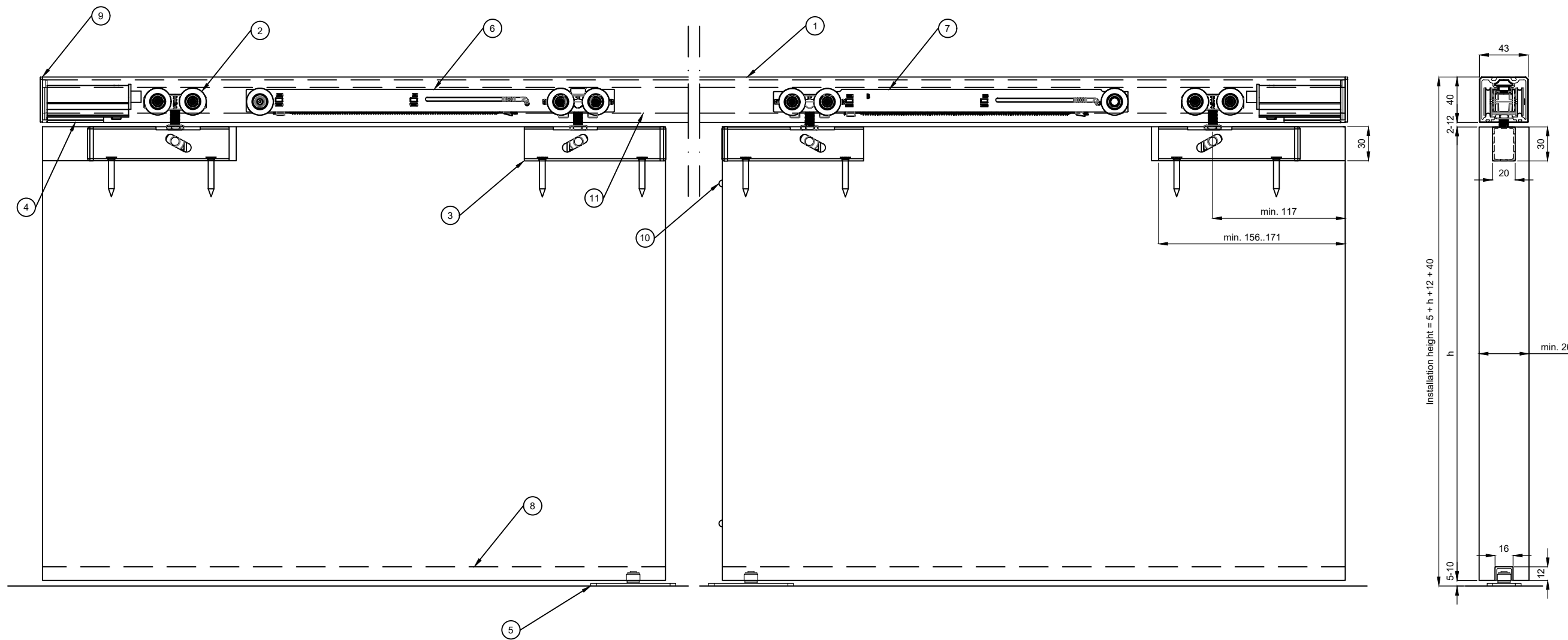


Nimike / Description SAGA 150 (seinä/wall): LHP/Syncroduo, 2x Soft close			Tuotenumero / Product Nr. (assembly S131-62)	Tuotesarja / Product Series SAGA 150	Piirtäjä / By AM	Mittakaava / Scale 1:4	A3	Rev 01
1. Track K-150/SAGA	5. Bottom guide AOL-10/SAGA	9. Bottom guide channel AOK-10	13.	Huomiot / Notes 1. Drawing is for reference only and subject to change without notice. 2. All product dimensions are in millimeter. 3. Door panels (/movable objects) are not in scale.				
2. Hanger MP-150/SAGA	6. Bracket SK-150/300/SAGA	10. End cap PL-150/SAGA	14.					
3. Plate LHP-150/SAGA	7. Soft close w. hanger OHP-150/SAGA	11. Door buffer (silicon)	15.					
4. Track stop KPS-150/SAGA (Syncro)	8. Soft close w. hanger OHP-150/SAGA (B)	12. Cable/tensor plates AISI 316 (syncro)	16.					

helaform



Nimike / Description SAGA 150 (katto/soffit): LHP/Syncroduo, 2x Soft close			Tuotenumero / Product Nr. (assembly K131-62)		Tuotesarja / Product Series SAGA 150		Piirtäjä / By AM		Mittakaava / Scale 1:4 A3		Rev 01
1. Track K-150/SAGA	5. Bottom guide AOL-10/SAGA	9. End cap PL-150/SAGA	13.		Huomiot / Notes 1. Drawing is for reference only and subject to change without notice. 2. All product dimensions are in millimeter. 3. Door panels (/movable objects) are not in scale.						
2. Hanger MP-150/SAGA	6. Soft close w. hanger OHP-150/SAGA (B)	10. Door buffer (silicon)	14.								
3. Plate LHP-150/SAGA	7. Soft close w. hanger OHP-150/SAGA	11. Cable/tensor plates AISI 316 (syncro)	15.								
4. Track stop KPS-150/SAGA (Syncro)	8. Bottom guide channel AOK-10	12.	16.								

